



# LAND ROGUE

## R-200-12.7-L REMOTELY OPERATED GUN AND OBSERVATION SYSTEM

The Land Rogue is product line of remotely controlled weapon systems developed for use on Armoured Vehicles and Point-Defence Installations. Featuring calibres from 7,62mm to 30mm and technology such as automated target tracking, stabilised aiming, range finding, thermal vision and more, built into a low maintenance and low cost platform, ready for integration into modern Combat Management Systems.



Specifications are subject to change without notice. Consult manufacturer for latest specifications. All manufacturing rights reserved. This document is for information only and shall not form part of any contract.

# SPECIFICATIONS

## FEATURES

- Remote operation from cabin
- Automated optical target tracking
- Fibre optic gyro-stabilised aiming
- Night & day operation, Uncooled IR Sight
- Fire control software
- Low maintenance, ease of operation

## ARMAMENT

- 12.7mm HMG cannon
- 7.62mm GPMG (optional)
- 76mm Smoke launcher Kit (optional)

## GUN CONTROL

- Traverse coverage: nx360°
- Elevation: -40° to +60°
- Programmable no-go & no-fire zones
- Slow rates: up to 1 rad/s ( $\approx 60^\circ/s$ )
- Low speed:  $< 0.5$  mrad/s ( $\approx 0.028^\circ/s$ )
- Manually operable

## INTERFACE & POWER REQUIREMENTS

- Integration with CMS (optional)
- Video recording (optional)
- Multi-function display with software defined keys:
  - Mode selection and display
  - Burst length display
  - Armed or safe display
  - Round count display
  - Error messages
  - Gun position indicator
- Handcontroller keys:
  - System on/off switch and indicator
  - Armed/safe switch and indicator
  - Trigger
- 24V @ 50A Peak Pulse

## OBSERVATION/SIGHTING

- Day Sight : CCD Day Sight
- Night sight : Cooled/Uncooled Thermal Imaging
- Laser range finder (LRF)

## DIMENSIONS

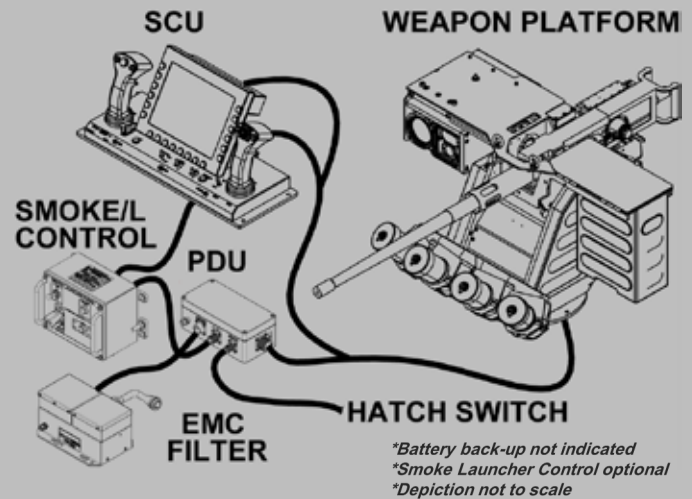
- External mount: 220kg (including 12.7mm weapon & ammunition)
- Display & hand controller: 15kg
- Length : 1654mm @ horizontal elevation
- Height : 639mm @ horizontal elevation

## AMMUNITION

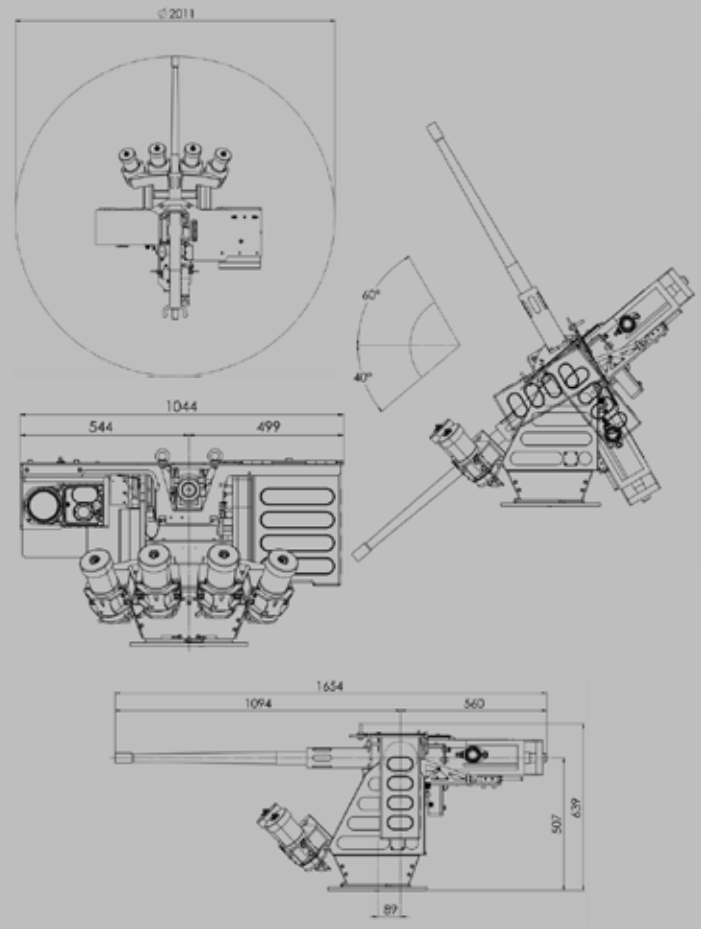
- 200 Rounds (12.7mm)
- 400 Rounds (7.62mm) (optional)
- 4 Smoke Launchers (optional)

# ILLUSTRATIONS

## SYSTEM DIAGRAM



## SYSTEM SIZE



Distributed by: TAMING SARI DEFENCE SDN BHD

No 171, 1st Floor, Persiaran PM/2, Pusat Bandar Seri Manjung, 32040 Seri Manjung, Perak

Tel: +605 6885388 Email: inquiry@tamingsari.com.my Website: www.tamingsari.com.my



Specifications are subject to change without notice. Consult manufacturer for latest specifications. All manufacturing rights reserved. This document is for information only and shall not form part of any contract.